

Instructions for fitting Spring Assisted arm for Sliding Loft Ladder

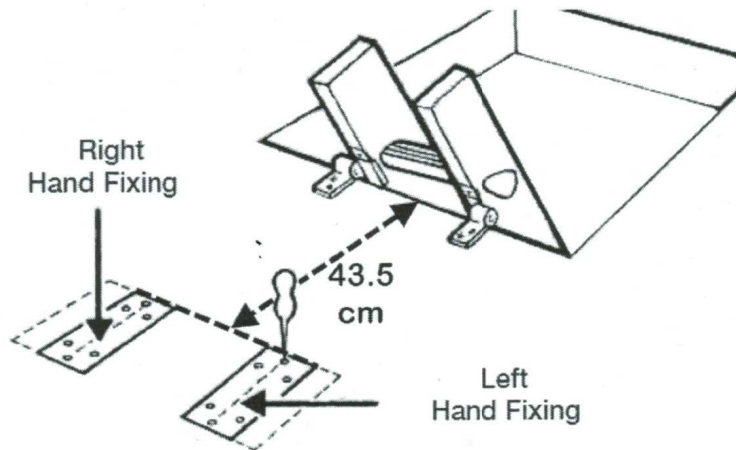
Please follow the instructions below instead of point 12. Attach the 2x retaining bars from your 2 Section or 3 Section Sliding Loft Ladder instructions.

12. Attach the pivot spring system

Measure and mark a point 43.5cm from the edge of the loft hatch. Draw a line parallel with the edge of the hatch through the mark you just made.

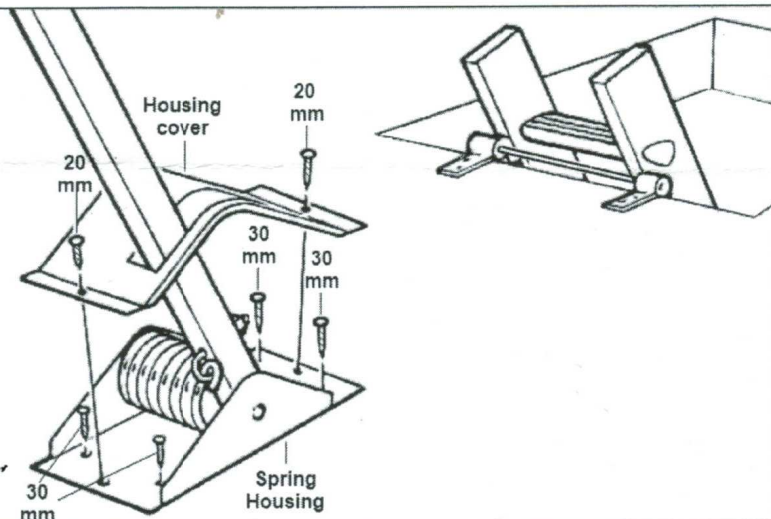
Place the spring housing just behind this line and ensure that the arms linkage plates line up exactly in front of the stile (side of the ladder) you are attaching it to. **Remember** the spring housing must have the slot in the cover to the left-hand side.

Once in right position, use a bradawl to mark the 6 holes through the spring housing on to the loft floor.



Fix the spring housing to the loft floor with 4x 20mm screws through the 4 inner holes, ensuring the arm points **AWAY** from the loft opening,

Place the housing cover over the spring housing and fix using 2 x 20mm screws.



Push the loft ladder carefully in to its fully stowed/closed position in the loft.

Locate the arm linkage plates both side of the top of the ladder and line the holes up. Secure the linkage plates through the ladder using a nut, 2 x washers and bolt from the retaining bar assembly that came with your loft ladder. Ensure they are tightened sufficiently to allow the linkage to freely rotate without any looseness.

DO NOT over tighten the nut as this will restrict smooth operation spring pivot arm.

