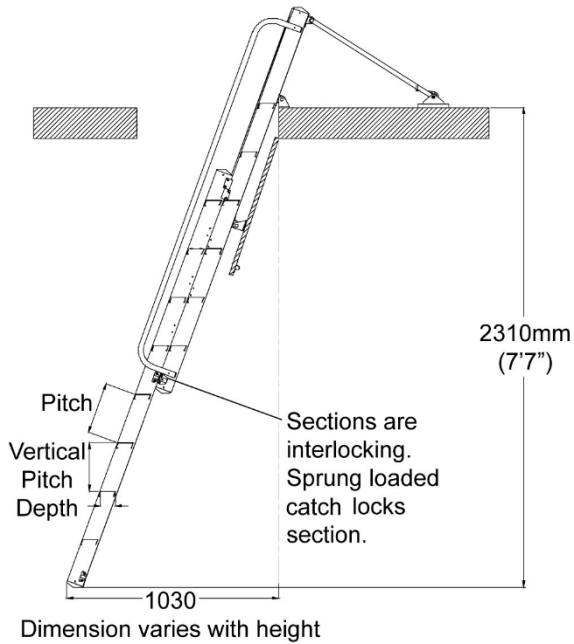


Height Settings

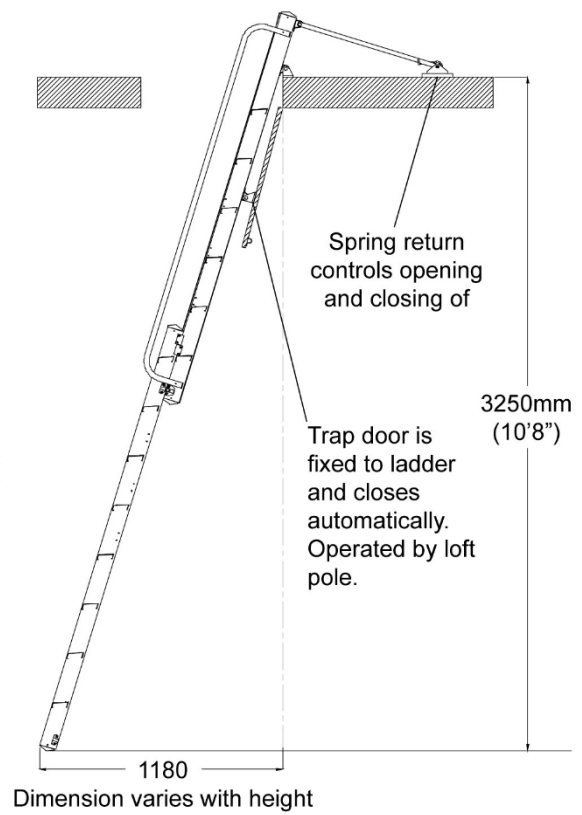
Minimum Height



Floor to Floor Height

| | |
|-----------|----------------------------------|
| Setting 1 | 2310mm (7'7") to 2545mm (8'4") |
| Setting 2 | 2545mm (8'4") to 2780mm (9'2") |
| Setting 3 | 2780mm (9'2") to 3015mm (9'11") |
| Setting 4 | 3015mm (9'11") to 3250mm (10'8") |

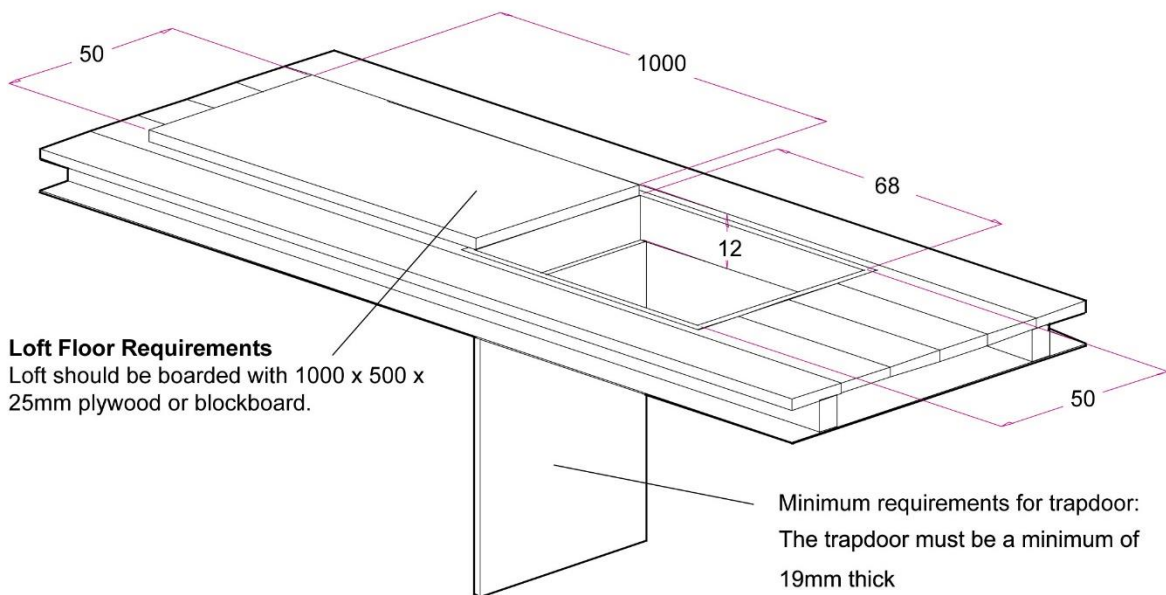
Maximum Height



Hatch Size

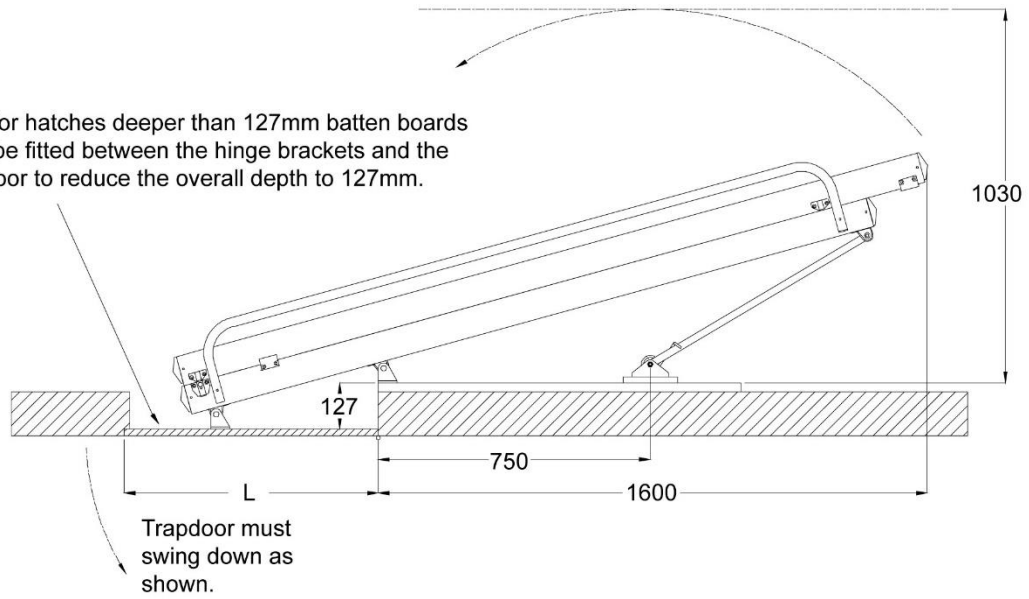
Hatch requirements for ladder operation

Minimum opening:- 686 x 508mm
Maximum depth: - 127mm



Loft Clearance

Note: For hatches deeper than 127mm batten boards should be fitted between the hinge brackets and the hatch door to reduce the overall depth to 127mm.

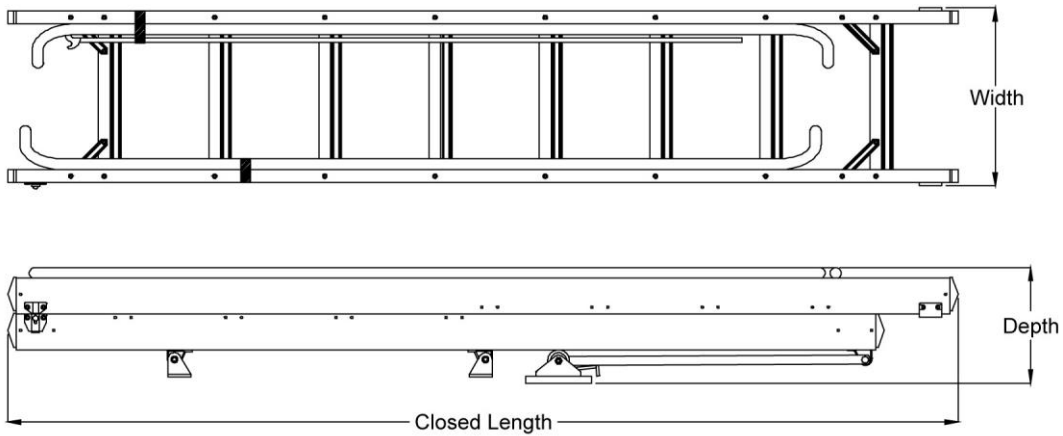


Note: Heavy trapdoors will cause the hatch to remain open.

An approximate rule for finding maximum door weight in kg for given length is :

$$\text{Max. Weight (kg)} = 4220/L \text{ when L is in mm.}$$

Packed Dimensions



| <u>Closed Length</u> | <u>Width</u> | <u>Depth</u> | <u>Volume</u> | <u>Weight</u> |
|----------------------|--------------|--------------|----------------------|---------------|
| 2160mm | 405mm | 265mm | 0.232 m ³ | 18.4kg |